

SOLAR LED STREET LIGHT "HYPERION" 5000LM



NOMO GROUP CO.,LIMITED

www.led321.com

Factory Add : 3rd Flood, Building 1, Xin Lianhe Real Estate,Shajing, Baoan, Shenzhen, China.



www.led321.com

Product introduction

The Hyperion series solar LED street light is researched and developed by NOMO group. It's wireless and easy to be installed, with the free maintenance and long working life. It's very popular in the places where is abundant with solar resource to illuminate the street light due to compact unique design and integrated functions.

Popular uses

High way /patio lighting/Building Parking / Bike Path /Suitable for Courtyard / Garden / Park / Street / Roadway / Pathway / Parking Lot / Private Road / Sidewalk / Public Square / Plaza / Campus / Farm & Ranch / Perimeter Security / Wildlife area / Remote Area / Military Base etc.

Product features

Integrated design, beautiful, simple and convenient

Solar power supply, green environmental protection, zero emissions

More energy saving and lighting for longer

LG Chip, high photosynthetic efficiency, long life

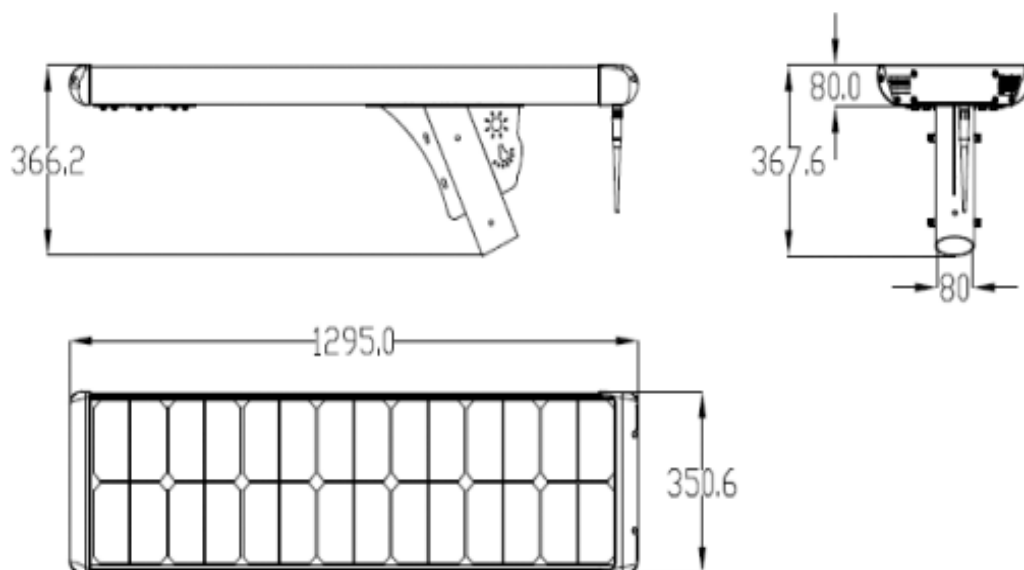
Surface anti-corrosion treatment, salt fog 480 h does not rust.

NOMO GROUP CO.,LIMITED

www.led321.com

Factory Add : 3rd Flood, Building 1, Xin Lianhe Real Estate,Shajing, Baoan, Shenzhen, China.

1. Size of products



2. Specification

MODEL	Hyperion- 5000LM
Parameters	
PV Module	90W
Life time	25 years (The power attenuation of each year is around 1%)
LED luminous	5000LM
LED chip	3535 LED
viewing Angel	70°*140°
Color Temperature	3000K-6500K, Typical (5500K-6000K)
Color rendering index	> 70
Life time	> 5years
Battery Tape	LiFePo4 battery
Battery Capacity	384WH
Battery life time	(5-8years)



www.led321.com

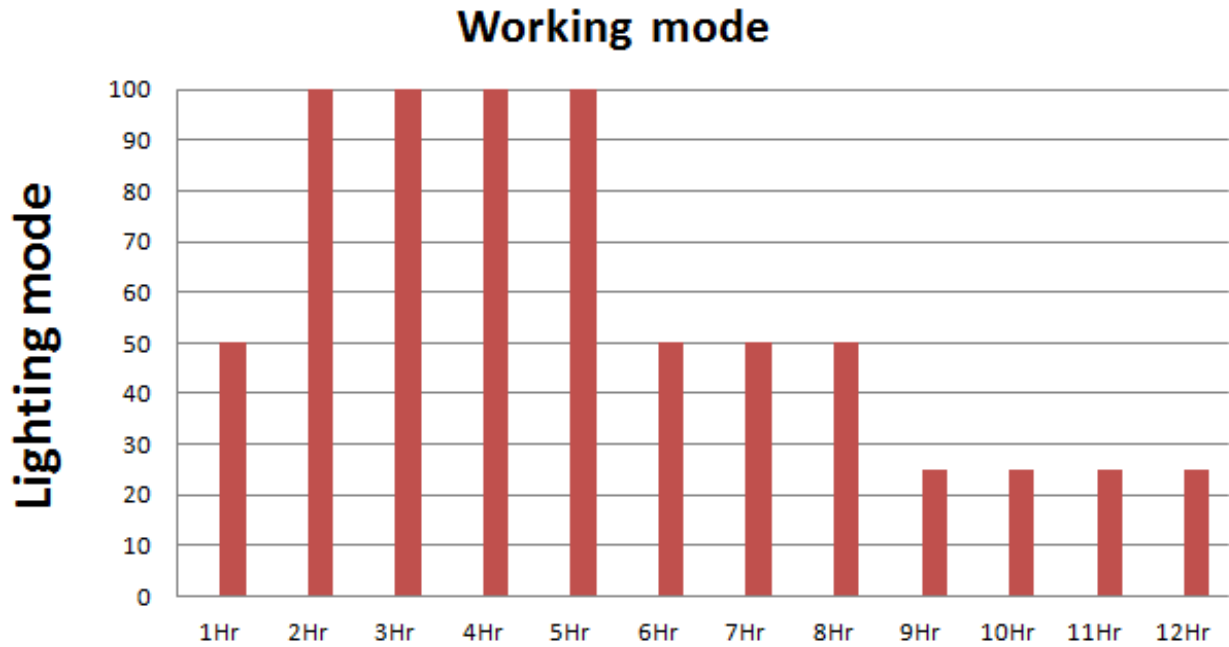
MPPT charge controller	including wireless communication module (please see the Communication topology below)
Timing mode	1Hr50% ,4Hr100%,3Hr50%,4Hr25%. Infrared induction is optional
Circuit Protection	Overcharge, discharge, short circuit, open load, lightning protection and other functions
Life time	5-8years
Charging Time (STC)	6-8Hours(With STC)
Certificate	CE、ROSH、IP65
Working Temperature	-20℃ ~ +60℃(When the temperature is below -10℃, derating use)
Storage Temperature	0℃ ~ 45℃
Protection Grade	IP67
Dimension Size(mm)	1295*350*80mm
Installation Height	5 m to 7m light pole
Installation Diameter	<80mm
Clearance of Installation	20m to25m

NOMO GROUP CO.,LIMITED

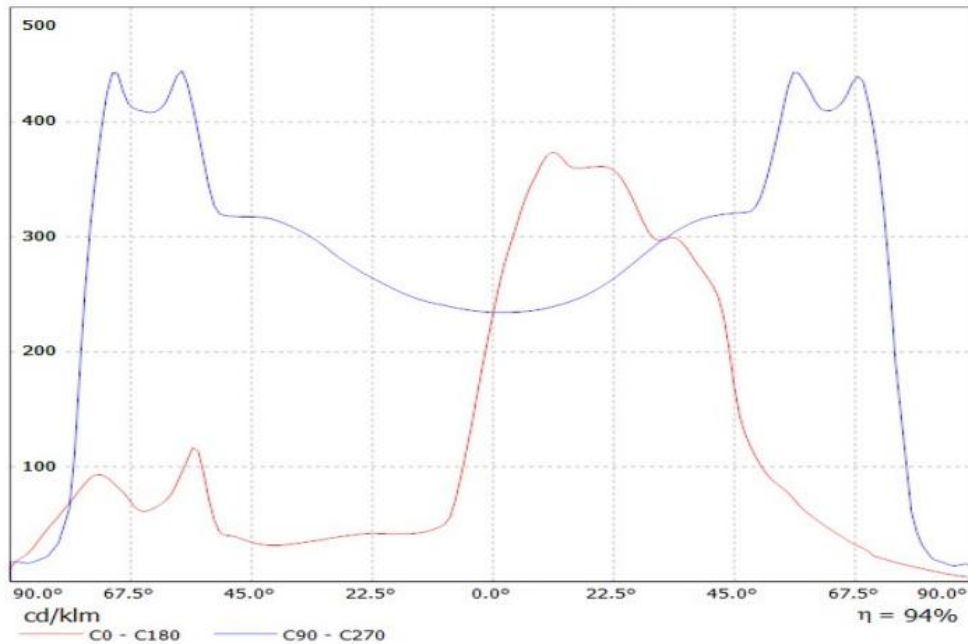
www.led321.com

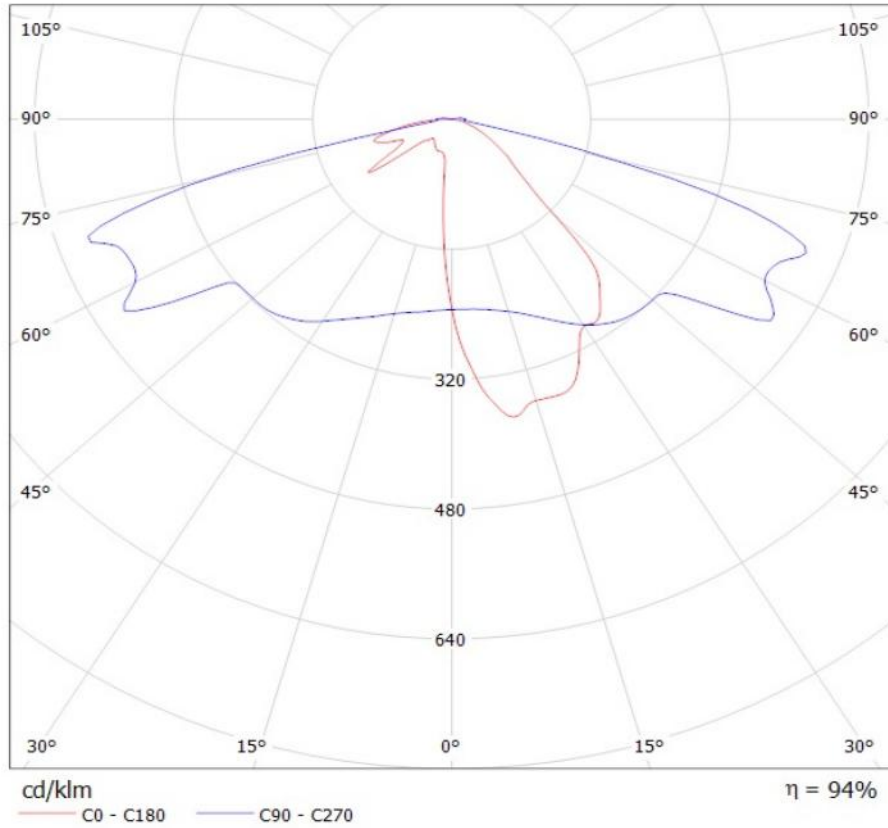
Factory Add : 3rd Flood, Building 1, Xin Lianhe Real Estate,Shajing, Baoan, Shenzhen, China.

3. Working mode



4. Light Distribution





5. Adaptive road type simulation

Height: 7m, width:7 m, pole distance: 20m, lighting arrange on one side ,simulated data

DIALux

Maintenance factor: 0.67
Grid: 10 x 6 Points

Lm [cd/m ²] ≥ 0.75	Uo ≥ 0.40	UI ≥ 0.60	TI [%] ≤ 15	EIR ≥ 0.30
✓ 0.78	✓ 0.52	✓ 0.81	✓ 15	✓ 0.32

Horizontal illuminance

